



MCR08N RFID Terminal

Ethernet, Wi-Fi or LTE

MCR08N RFID Terminal is a versatile and high-performance contactless reader designed for access control, time management, and applications. It supports 13.56 MHz RFID/NFC technologies and complies with standards such as ISO14443A/B and ISO15693, making it compatible with MIFARE®, NTAG, and I-Code technologies.

Key features

- **Touchscreen TFT LCD**
4.3" TFT Color-Touchscreen with UTF-8 multilingual support
- **Transponders**
MIFARE® Classic, MIFARE® Ultralight, MIFARE® DESFire, NTAG, (Only LF) EM4100
- **Ethernet Protocol**
TCP (reliable), UDP (Fast), FTP (File Transfer), NTP (Clock Synchronized via network)
- **Multiple communication interfaces**
Ethernet, RS232, RS485 and optional LTE
- **Wide power input range**
+8V to +36V DC
- **I/O Control**
2 x dry-contact relay outputs to control devices like locks or buzzers and 4 digital inputs.

Ideal for

- Access Control Systems
- Time attendance Tracking
- Construction sites
- Vending machines
- Fitness Studios



Access Systems



Logistik Supply chain



EV-Charger



Industrial Automation



Time Tracing



Healthcare



Shop PoS



Public Transport



Parking



ATM



Library



Home Automation

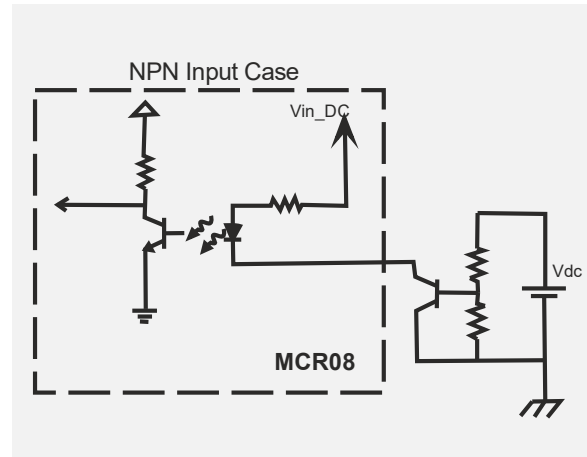
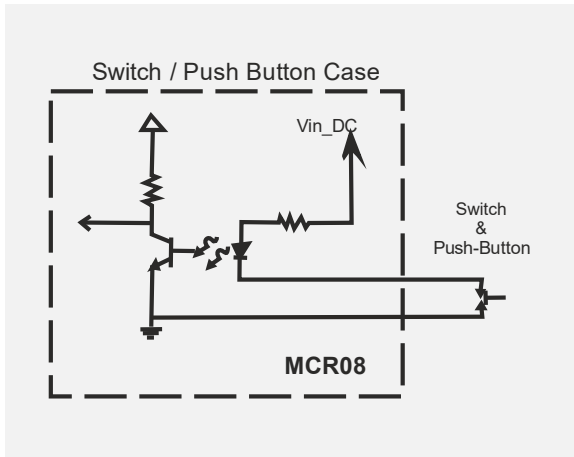


Telemetry Systems

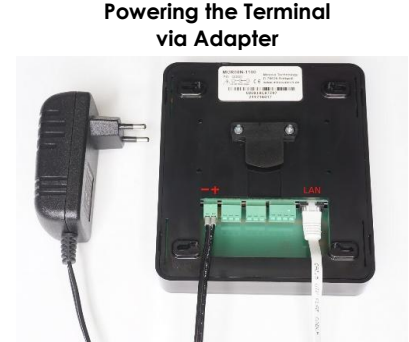
Technical Data

Operating Frequency	13.56 MHz / LF 125 KHz (Optional)	
Dimensions	132X150X30mm	
MTBF	500.000h	
Interfaces	Ethernet RS232 RS485 (Optional) 4G/LTE 2 Relays (1.5A/24V) 4 Inputs	
Supported Cards & Transponders	MIFARE® Classic MIFARE® Ultralight MIFARE® DESFire NTAG (Only LF) EM4100	
Antenna	Integrated	
Display	4.3" TFT Color LCD mit Touch screen	
Flash-Memory	32MB	
External Flash-Memory	8Mbit	
Temperature	-20°C to +70 °C	
Relative Air Humidity	5% up to 90% (non-condensing)	
Power Supply	+8V to +36V DC <small>*At least a 2A power supply is recommended for proper relay switching and GSM connectivity</small>	
Current Consumption	~250 mA	
Weight	343 g	
Supported Standards	ISO14443A/B ISO15693	
Certifications	Europe/UK	CE/RED
Compliances	Cyber Security	EN 18031-1
	EMC	EN 301489 EN 55022 EN 300330 RED 2014/53/EU
	Environment	RoHS Compliance REACH 1907/2006

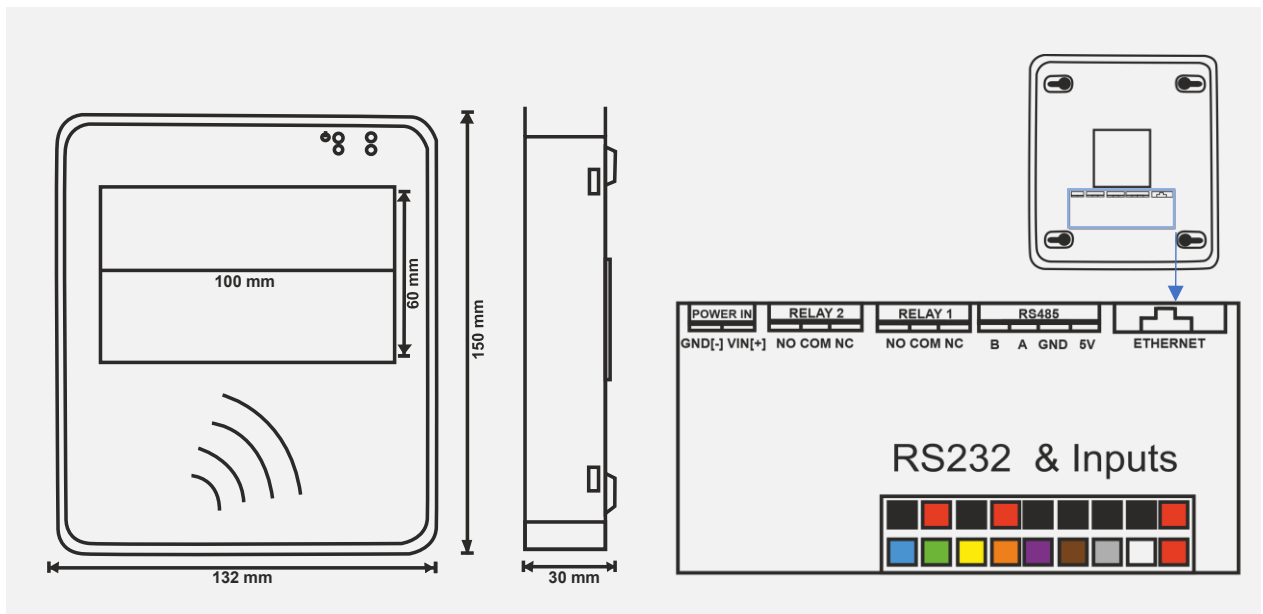
Input Circuits



Terminal Kit & Powering



Dimension & Ports



Interface Connector Pinout

Main Connector	
1	+5V Output (optional voltage ref. for inputs)
2	EXT_IN0
3	EXT_IN1
4	EXT_IN2
5	EXT_IN3
6	COM1-RXD (RS232)
7	COM1-TXD (RS232)
8	COM2-RXD (empty in GSM Version)
9	COM2-TXD (empty in GSM Version)
10	+5V Output
11	GND
12	GND
13	GND
14	GND
15	+5V Output
16	GND
17	+5V Output
18	GND

Ordering Codes

Ordering Code	Ethernet	HF	LF	HITAG	MDB	4G
MCR08N-1100	✓	✓				
MCR08N-1200	✓	✓	✓			
MCR08N-1250	✓	✓	✓	✓		
MCR08N-1400	✓	✓				✓
MCR08N-1500	✓	✓			✓	

Minova Technology GmbH

Lindenstraße 2
78628 Rottweil / Germany



info@minovatech.de
+49 (0) 741 348 51 564

The information provided in this datasheet is intended to describe the general characteristics and technical specifications of products manufactured by **Minova Technology GmbH**. It is subject to change without prior notice and does not constitute a guarantee or warranty of any kind. Minova Technology GmbH assumes no responsibility for any errors or omissions that may occur in this document or for the use of the information contained herein.

© 2025 Minova Technology GmbH. All rights reserved.